



Aluminium Interfold Hinge

HAL4013

Vivid Architectural



Applications

- Suitable for aluminium entrance doors in high usage situations.
- Suitable for either centre pocket or front edge glazing systems.
- Suitable for some timber door applications.
- Pre-drilling of the holes in the timber may be required.

Specifications

Brand	Vivid Architectural
Door Type	Timber or Metal
Door Thickness	Minimum 40mm
Alloy	High strength T.6 minimum tensile 254 mpa.
Pin Dia	6mm 304 stainless steel with machined chamfer both ends.
Bushes	Flanged nylon.
Knuckle	Squareline - Heavy duty.
Aluminium Endcaps	Pressed-in interference fit.
Maximum Weight Capacity	100 kg (turn over for further information)

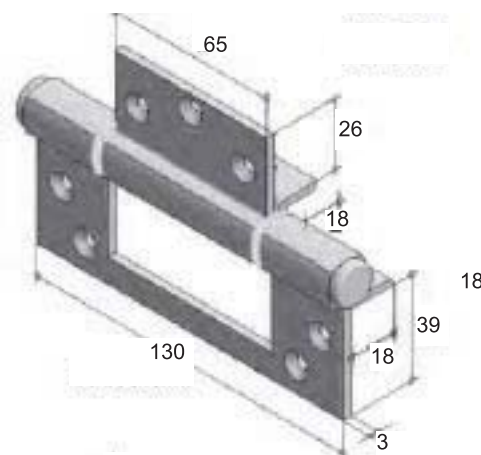
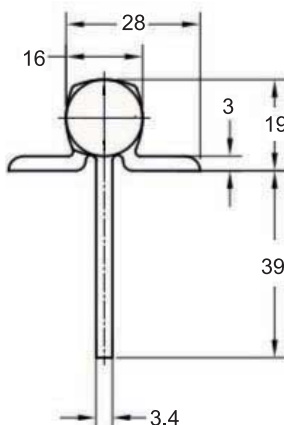
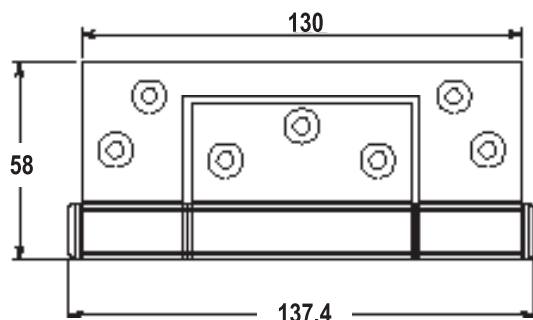
Finishes

- **HAL4013S** - SNA - Satin Natural Anodised
- **HAL4013B** - Black - Black Powder Coat
- **HAL4013W** - White - White Powder Coat

Installation

- **Door Thickness:** Minimum 40mm.
- When using a door closer, we recommend a minimum of 3 hinges be used, with the top hinge located as high as possible. For excessive usage a fourth hinge may be required.
- **Standard Door:** 2040 high x 820 wide x 100 kgs – 3 hinges.
- **Oversize Door:** Turn over for further information
- The wing locator allows for fast fixing.
- The 1.0mm aluminium packer, placed under the wing, allows for better alignment of the door, and for the correct positioning against the rubber seal, if required. The packer is available from your supplier.

Dimensions





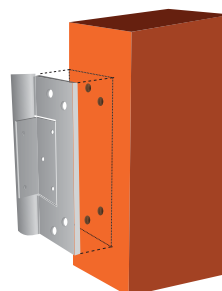
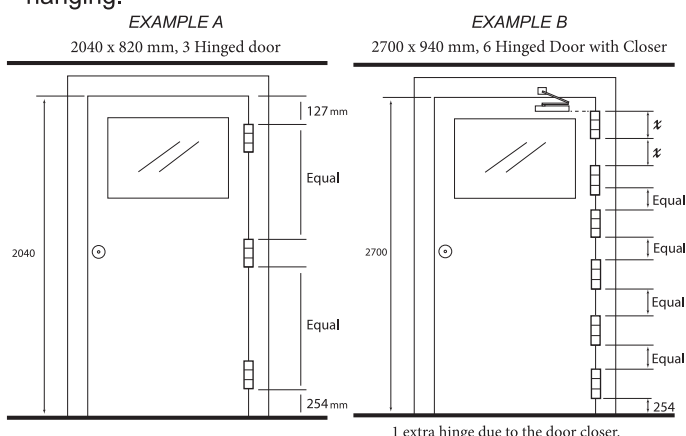
Aluminium Interfold Hinge

HAL4013

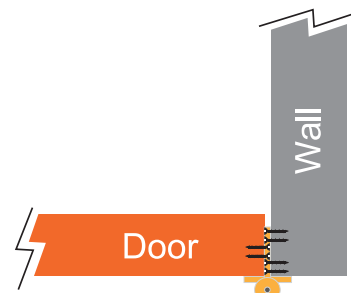
Information + Instructions

Standard Application:

- The top hinge is 127mm down from the frame mark to top of the hinge.
- Bottom hinge 254mm from bottom edge of barrel to finished floor.
- The third hinge is centered between the top and bottom hinges (if more than three hinges used, hinge spacings are equal between all hinges from the top to the bottom hinges). See Example Door A.
- Hinge is to be mounted directly onto the door and frame as it is a surface mount application. There will be a gap between the frame and the door edge equal to the thickness of the hinge leaf. This will also be equal to the gap above the door.
- Space out and mark all holes for pre-drilling before attaching the hinges to the frame.
- Please note if the hinge is 'Offset' - where the barrel sits to one side of the hinge leaf. This will result in misalignments when hanging.



Pre-drill and Mount



Closed Door Top View

With Door Closer:

- If you are using a door closer, you will need to add an extra hinge on top of the advised chart.
- The spacing between the top two hinges should be the same as the length of the hinge.
- The first hinge should be fitted as high as possible to the door closer mounting height. The second should then be spaced equal to the hinge size (length) down the door. All subsequent hinges should be evenly spaced thereafter between the second and bottom hinge. See Example Door B.

Hinge Specific Information

- Minimum Door Thickness: 40mm
- Up to 2300 x 900 x 100kg - 3 Hinges
- Please refer to the table below for more sizes.

Number of Hinges Required per Door Size			
	820 - 900 mm (W)	900 - 1000 mm (W)	1100 mm (W)
2100 mm (H) to 2300 mm (H)	3	4	5
2500 mm (H) to 2700 mm (H)	4	5	6
2900 mm (H)	5	6	7

*All information is regarded as generic unless specified in writing by us. Contact us for custom sizes and further information.

