



Electric Strike

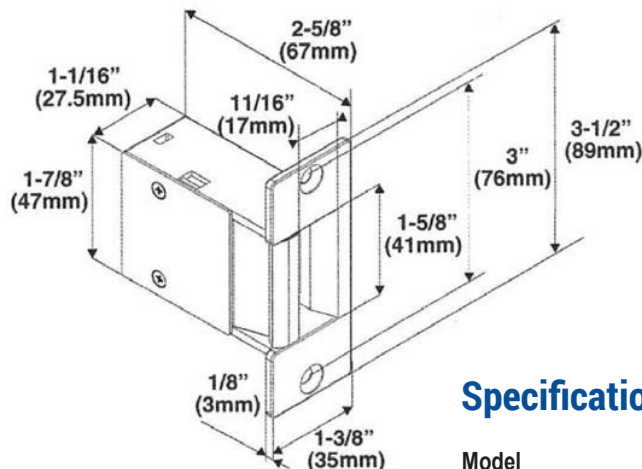
Gates & Outdoor applications

ESV050 - Mini Latch Electric Strike



Features

- One piece cast zinc alloy construction
- Silver Powder coat finish
- Compatible with cylindrical locksets (not suitable for mortice locks)
- Weather resistant
- 12 or 24VDC operation
- PTL - Fail secure function



Specifications

Model	ESV050
Holding Force	454kg
Voltage	Field Select 12/24VDC
Current	280mA/12VDC 140mA/24VDC
Approvals	CE Tick, ROHS Compliant
Monitoring	Face Plate - 35 W x 89 H x 3 D Body - 27.5 W x 47 H x 67 D