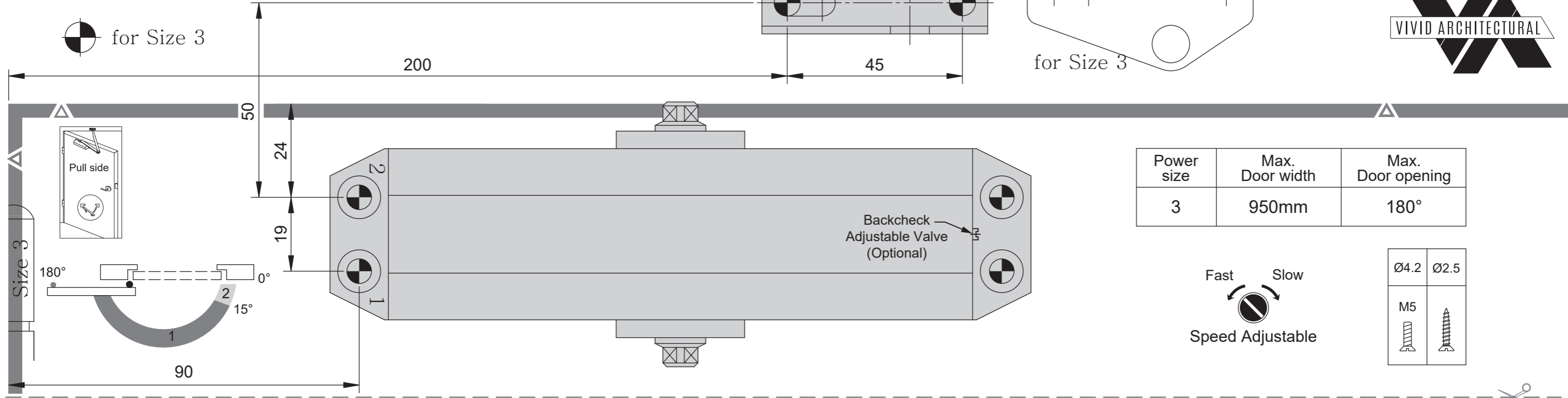
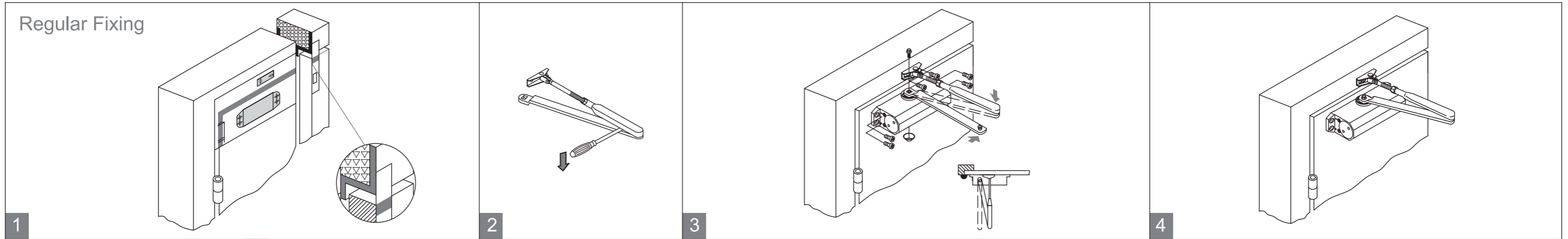


DC8051BC Fixed Power Size 3



Installation Instructions:



Installation & Maintenance notes:



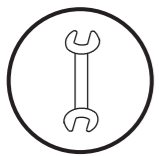
AFTER INSTALLATION, PLEASE CHECK AND TEST:

1. Open the door leaf to its maximum opening angle and release. The door leaf should close fully into the door frame, and ensure the lock latch bolt engages fully into the door frame strike.
2. Open the door leaf and rest the lock latch bolt on the strike plate momentarily, then release the door. The closer should have sufficient power to engage the lock latch bolt fully into the door frame strike.
3. Back-check provides a cushioning effect when the door is forcibly thrown open, but does not serve as a substitute for a door stop.
4. Speed adjustment valves are set fully closed as factory default. Please adjust these valves correctly as shown above. Do not adjust valves more than 3 turns in either direction.



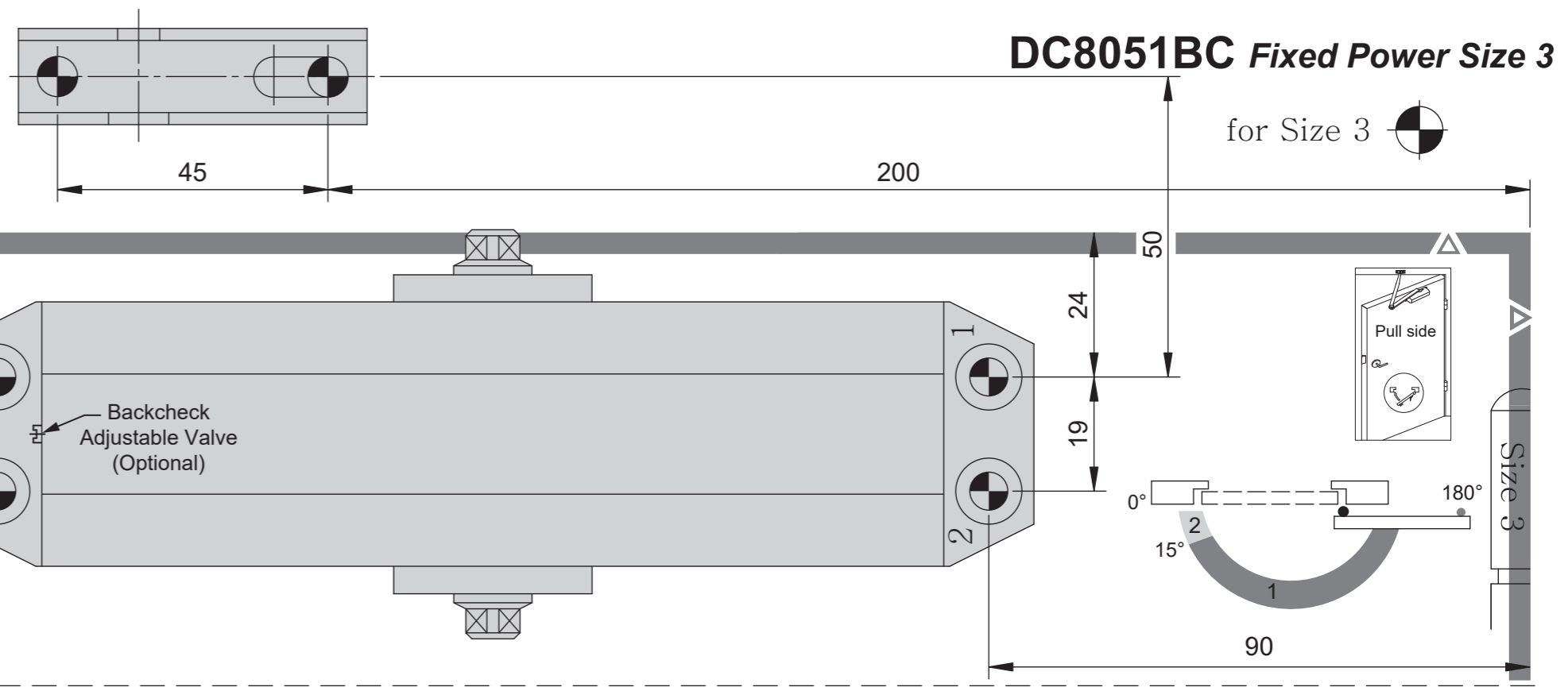
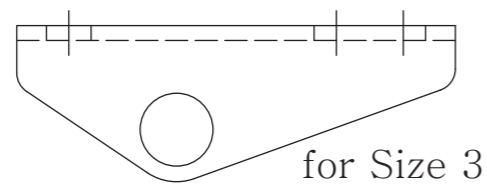
WARNING:

1. DO NOT open door closer beyond maximum opening angle.
2. This door closer is fitted with a powerful spring, which is inserted into the body under pressure. DO NOT under any circumstances attempt to dismantle the door closer.
3. Do not adjust valves more than 3 turns in either direction.



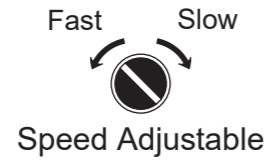
MAINTENANCE:

1. Check the door closer every 6 months and ensure that all fixing are secure, and if necessary, adjust the closing & latching speeds.
2. If necessary, apply a light amount of suitable lubricant to the door closer arm knuckle joint.

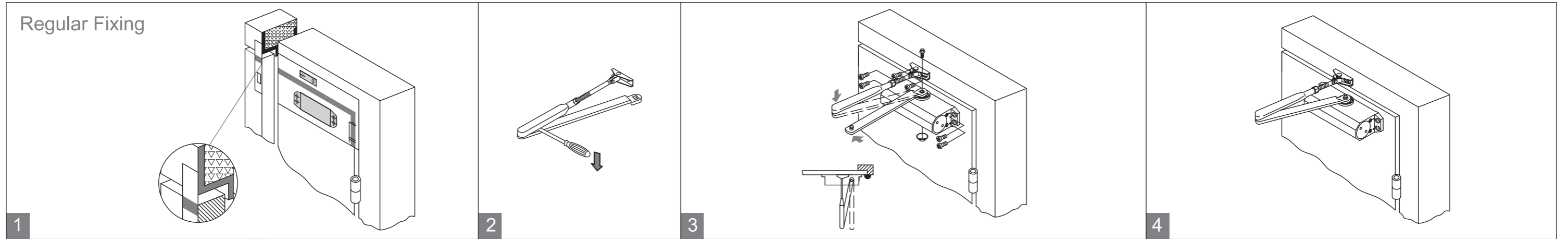


Power size	Max. Door width	Max. Door opening
3	950mm	180°

Ø4.2	Ø2.5
M5	



Installation Instructions:



Installation & Maintenance notes:



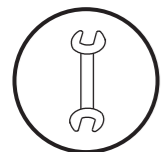
AFTER INSTALLATION, PLEASE CHECK AND TEST:

1. Open the door leaf to its maximum opening angle and release. The door leaf should close fully into the door frame, and ensure the lock latch bolt engages fully into the door frame strike.
2. Open the door leaf and rest the lock latch bolt on the strike plate momentarily, then release the door. The closer should have sufficient power to engage the lock latch bolt fully into the door frame strike.
3. Back-check provides a cushioning effect when the door is forcibly thrown open, but does not serve as a substitute for a door stop.
4. Speed adjustment valves are set fully closed as factory default. Please adjust these valves correctly as shown above.



WARNING:

1. DO NOT open door closer beyond maximum opening angle.
2. This door closer is fitted with a powerful spring, which is inserted into the body under pressure. DO NOT under any circumstances attempt to dismantle the door closer.
3. Do not adjust valves more than 3 turns in either direction.



MAINTENANCE:

1. Check the door closer every 6 months and ensure that all fixing are secure, and if necessary, adjust the closing & latching speeds.
2. If necessary, apply a light amount of suitable lubricant to the door closer arm knuckle joint.