



Concealed Cam Action Door Closer

DC8824DCON



Vivid Architectural



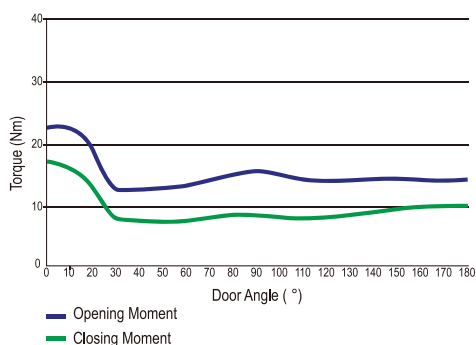
Features

- Complies with AS1428.1 2009 design for access and mobility
- Adjustable power size 2~4
- Adjustable closing & latching speed
- Thermo-constant valve
- Concealed mount
- Cam action
- Track arm (Large as standard & Small as option)
- Single-action door
- Non-handed installation
- Can be installed in virtually all doors with minimum thickness of 40 mm or more

Applications

- Concealed in door
- Concealed in transom

TYPICAL POWER CURVE



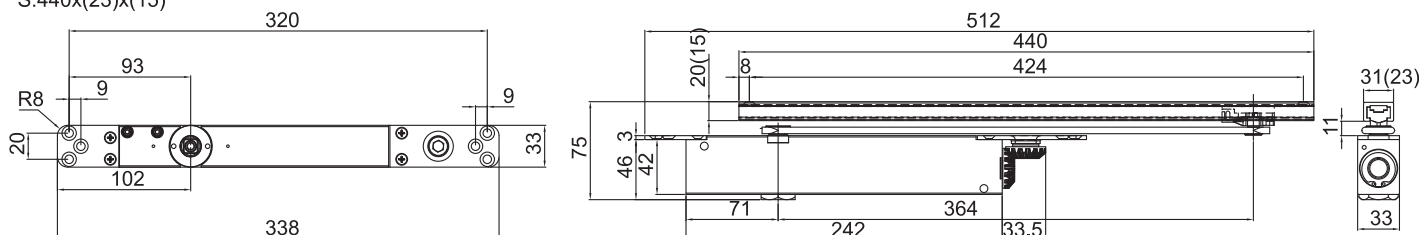
Specifications

Brand	Vivid Architectural
Door Type	Timber or Metal
Door Thickness	40mm – 55mm
Max. Door Width	1100mm
Max. Opening Angle	120°
Power Size	2~4
Finish	Anodized aluminum for door closer body and track rail as standard
Packaging	Box

Dimensions

L: 440x31x20

S: 440x(23)x(15)





Concealed Cam Action Door Closer

DC8824DCON

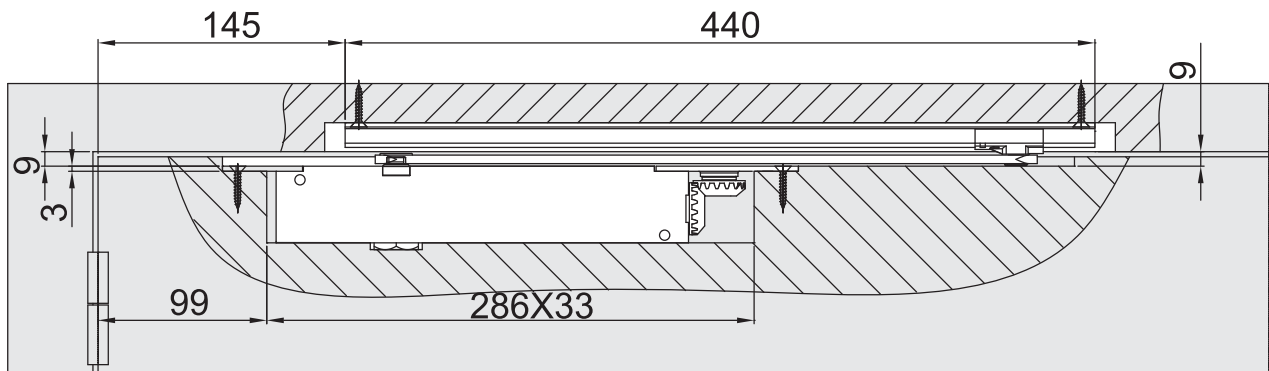


Instructions



Installation Instructions

CONCEALED IN DOOR



CONCEALED IN TRANSOM

