

VIVID 8000 SERIES

Cam Action Door Closer

VIVID ARCHITECTURAL

DC8015



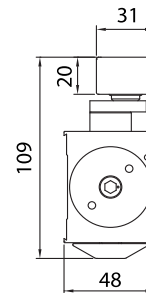
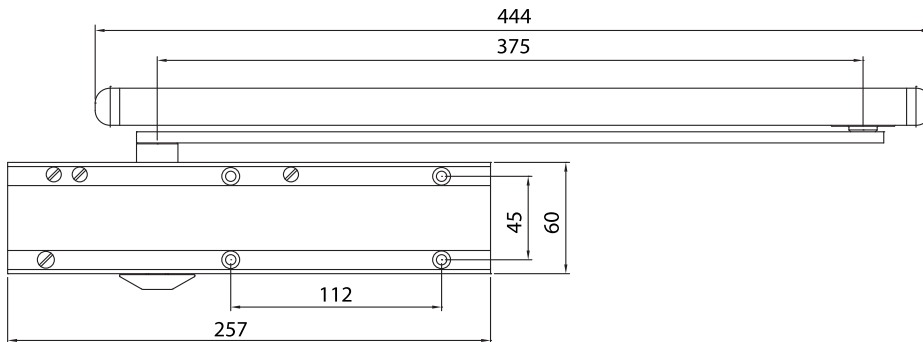
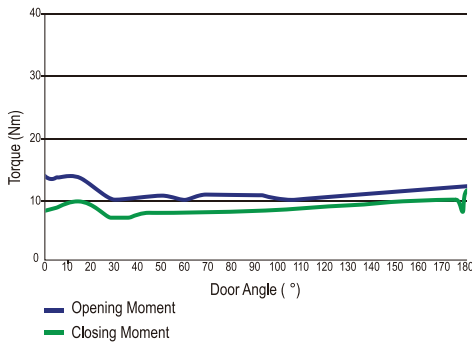
Features

- ▶ Power adjustable EN Size 1~5
- ▶ Adjustable closing & latching speeds
- ▶ Adjustable backcheck
- ▶ Adjustable delayed action
- ▶ Cam action
- ▶ Slide arm
- ▶ Surface mount
- ▶ Single-action door
- ▶ Non-handed installation

Application

- ▶ B type: Door mount pull side & transom push side
- ▶ G type: Door mount push side & transom pull side
- ▶ Max. door width 1250mm
- ▶ Max. door weight 100kg
- ▶ Max. door angle 180°

Power Curve



Certifications

- ▶ Fire tested to AS 1530.4-2014
- ▶ Complies with AS 1428:1-2009
- ▶ Cycle tested to EN 1154:1996 (500,00 cycles)

Finishes

- ▶ Anodised aluminium for closer body as standard
- ▶ Painted - Silver & Black as standard. Other colours P.O.A

Accessories

- ▶ 8015HOD - Hold Open Device
- ▶ 8015CLS - Cushion Limiting Stay
- ▶ 8015MP - Mounting Plate
- ▶ 8015AB - Angle Bracket (Slide arm mounting)
- ▶ 8015MC - Metal Cover (Stainless Steel)

