

VIVID 8000 SERIES

Hydraulic Door Closer



DC8051

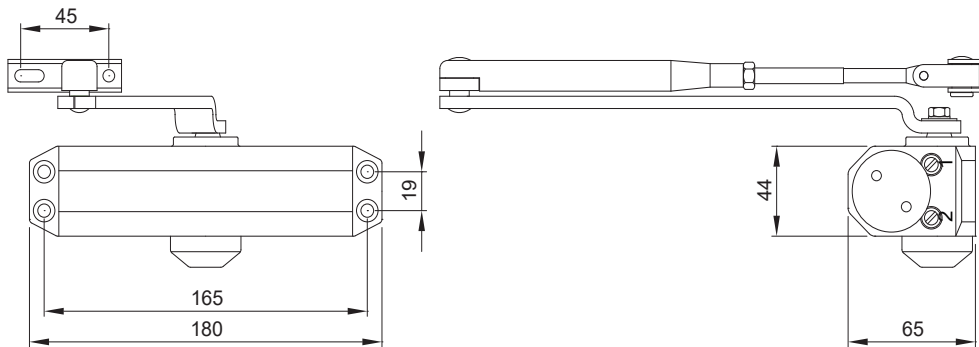


Features

- ▶ Fixed power EN Size 3
- ▶ Adjustable closing & latching speeds
- ▶ Adjustable backcheck
- ▶ Thermo-constant valve
- ▶ Surface mount
- ▶ Standard arm
- ▶ Single-action door
- ▶ Non-handed installation

Application

- ▶ Standard door mount on pull side
- ▶ Transom mount on push side
- ▶ Parallel bracket mount
- ▶ Max. door width 950mm
- ▶ Max. door weight 60kg
- ▶ Max. door angle 180°



Certifications

- ▶ Fire tested to AS 1530.4-2014
- ▶ Cycle tested to EN 1154:1996 (500,00 cycles)

Finishes

- ▶ Anodised aluminium for closer body as standard
- ▶ Painted - Silver & Black as standard. Other colours P.O.A

Accessories

- ▶ 8003HO - Hold Open Arm
- ▶ 8003MP - Mounting Plate
- ▶ 8003DP - Drop Plate

