

### DC8016

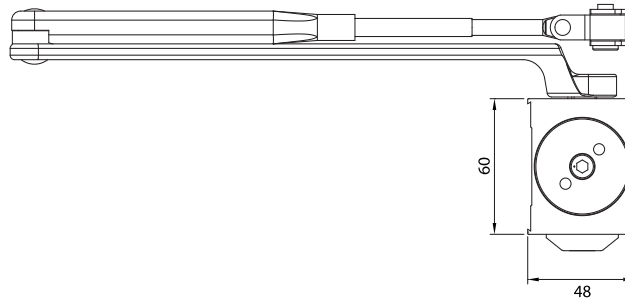
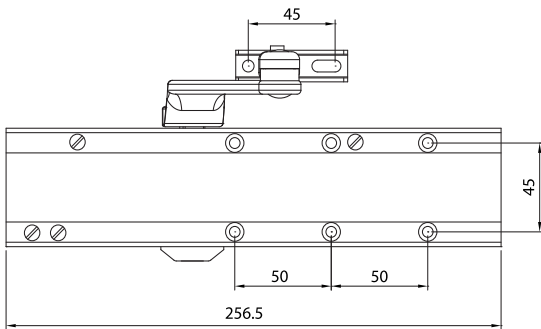


#### Features

- ▶ Power adjustable EN Size 1~6
- ▶ Adjustable closing & latching speeds
- ▶ Adjustable backcheck
- ▶ Adjustable delayed action
- ▶ Thermo-constant valve
- ▶ Surface mount
- ▶ Standard arm
- ▶ Single-action door
- ▶ Non-handed installation

#### Application

- ▶ Standard door mount on pull side
- ▶ Transom mount on push side
- ▶ Parallel bracket mount
- ▶ Max. door width 1400mm
- ▶ Max. door weight 120kg
- ▶ Max. door angle 180°



#### Certifications

- ▶ Fire tested to AS 1530.4-2014
- ▶ Complies with AS 1428:1-2009
- ▶ Cycle tested to EN 1154:1996 (500,00 cycles)

#### Finishes

- ▶ Anodised aluminium for closer body as standard
- ▶ Painted - Silver & Black as standard. Other colours P.O.A

#### Accessories

- ▶ 8002HO - Hold Open Arm
- ▶ 8002MP - Mounting Plate
- ▶ 8002DP - Drop Plate
- ▶ 8002ST - Slide Track Arm
- ▶ 8002STHO - Slide Track arm Hold Open Device
- ▶ 8002MC - Metal Cover (Stainless Steel)

