



Electric Strike Installation Guide

High Security

ESV200 - Electric Strike
ESV200FR - Electric Strike **[FIRE RATED]** 



Statement

The ESV200 series electric strikes are designed for use with lockset spring latch or cylindrical, Max. latch throw 15mm (3/8") keeper depth for inswing doors.

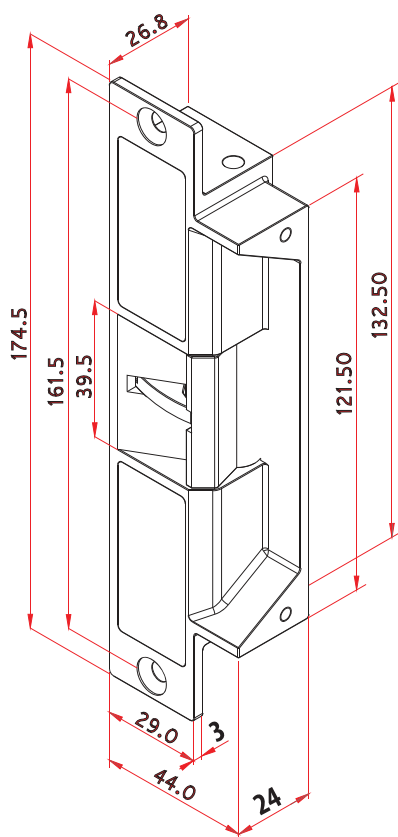
Features

- Version Changeable (Fail-secure/Fail-safe)
- Long life solenoid
- Max.latch throw: 15mm
- Lock & unlock / Door status output
- 12~28VAC/DC Operating Voltage
- For wooden frame / metal frame doors



Dimensions

unit:mm



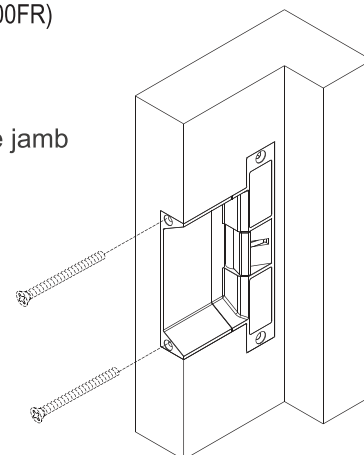
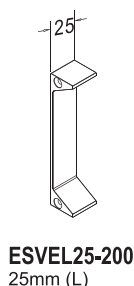
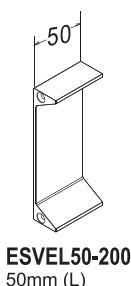
Specifications

Model	ESV200 / ESV200FR
Operating Voltage	12~28VAC/DC
Current Draw	210mA/12VDC; 140mA/24VDC (at temperature 20°C)
Reed Switch Rating	1A/125VAC
Operating Temp.	10~+45°C
Humidity	0~95% non-condensing
Material	zinc alloy main stand (ESV200) stainless steel main stand (ESV200FR)

Up to 1,000,000 cycles test (solenoid)
 1500 LBS jaw strength pull testing (ESV200)
 2000 LBS jaw strength pull testing (ESV200FR)

Optional Accessories

Lip extension brackets for the wide jamb





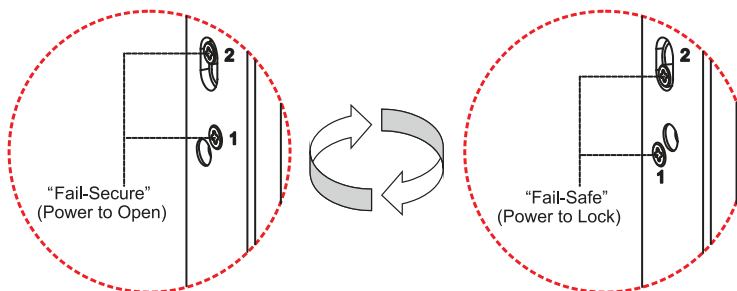
Electric Strike Installation Guide

High Security

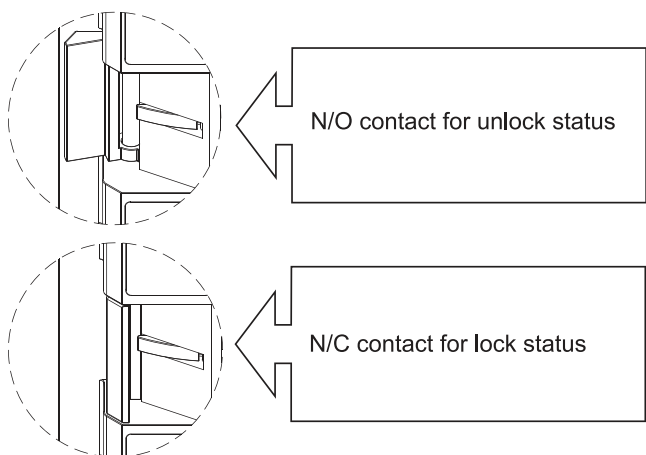
- ESV200** - Electric Strike
- ESV200FR** - Electric Strike **[FIRE RATED]** 

Version Changeable

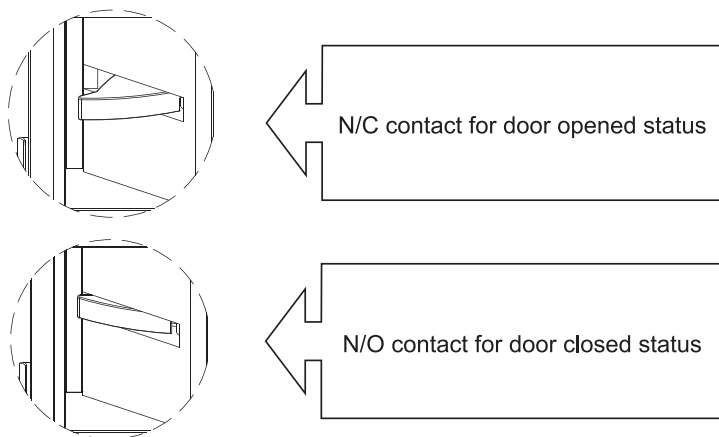
The ESV200 series electric strikes can easily be changed between fail-safe and fail-secure mode. This unique design enables distributors to reduce inventory and still meet varying needs and requirements of end users.



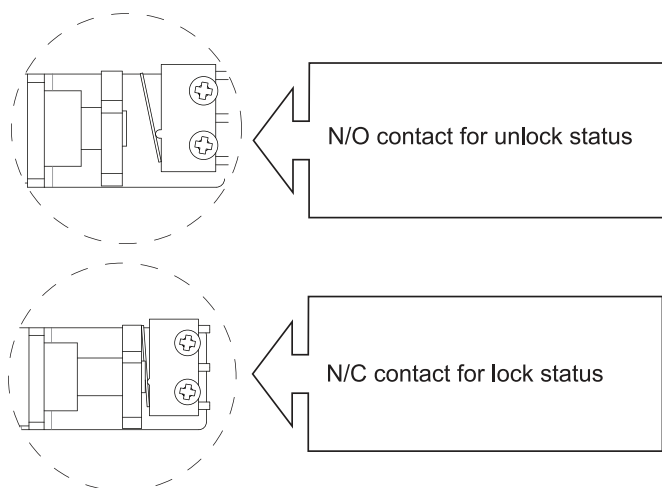
Keeper Monitor Output



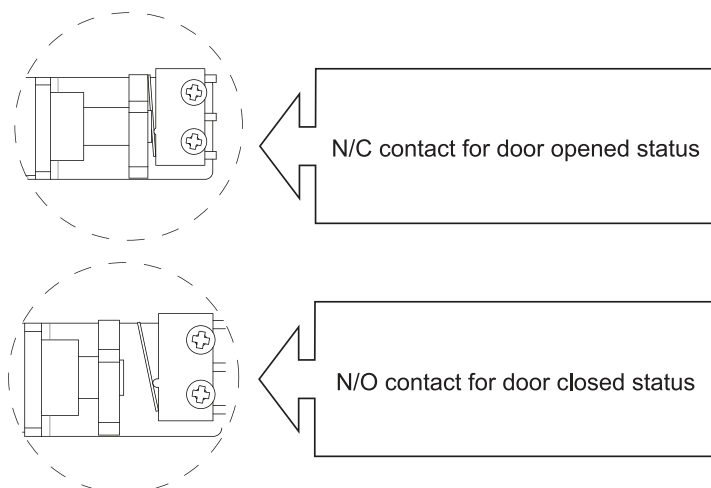
Door status output



Lock & unlock status output (Fail-Safe)



Lock & unlock status output (Fail-Secure)





Electric Strike Installation Guide

High Security

ESV200

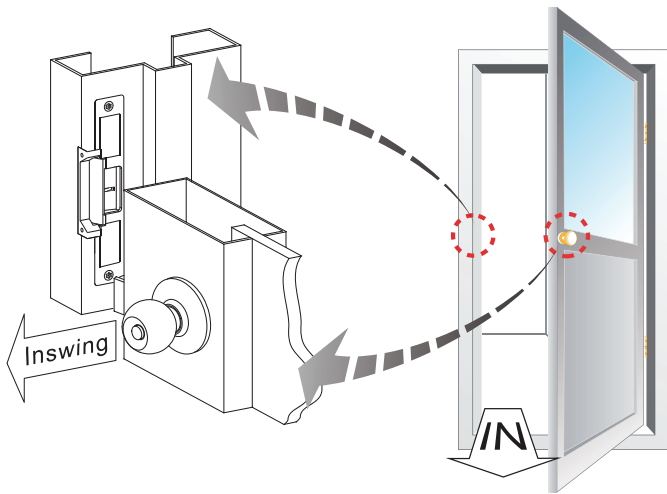
- Electric Strike

ESV200FR

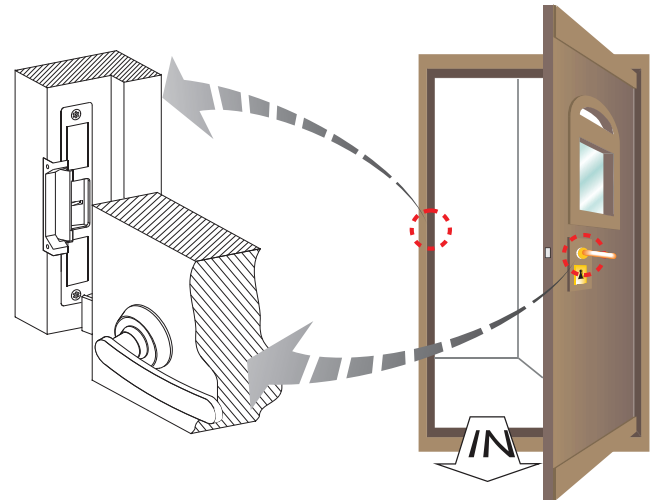
- Electric Strike **[FIRE RATED]**



Mortise Mount on Hollow Metal Frames



Mortise Mount on Wood Frames



unit:mm

