



Door Closer

DC8051BC 

Tradeline Range



Features

- Hydraulic door closer
- The hardened steel rack and pinion mechanism is housed in the alloy aluminium body
- Reversible for both left and right handed doors
- Applications for standard or top jamb
- Adjustable closing speed from 180° ~ 15° by turning the adjusting valve 1
- Adjustable latching speed from 15° ~ 0° by turning the adjusting valve 2
- Standard BACK CHECK



Specifications

Brand	Vivid Tradeline
Door Type	Timber or Metal
Chassis	Size 3
Back check	Standard
Fire Rated	2 hour
Reversible	LH and RH doors
Finish	Silver
Parallel Arm Bracket	Included
Packaging	Box
Warranty	3 Years

Selection Chart

SIZE No .	STANDARD / TOP JAMB INSTALLATION				PARALLEL INSTALLATION			DOOR WEIGHT (Ret) lbs	
	Interior door width (mm)	Exterior door width(mm)		Minimum Lbf.	Interior door width (mm)	Exterior door width(mm)			
		Swing out	Swing in			Swing out	Swing in		
51-03	1050	900	800	1.7	950	900	800	1.7	40~65



Door Closer

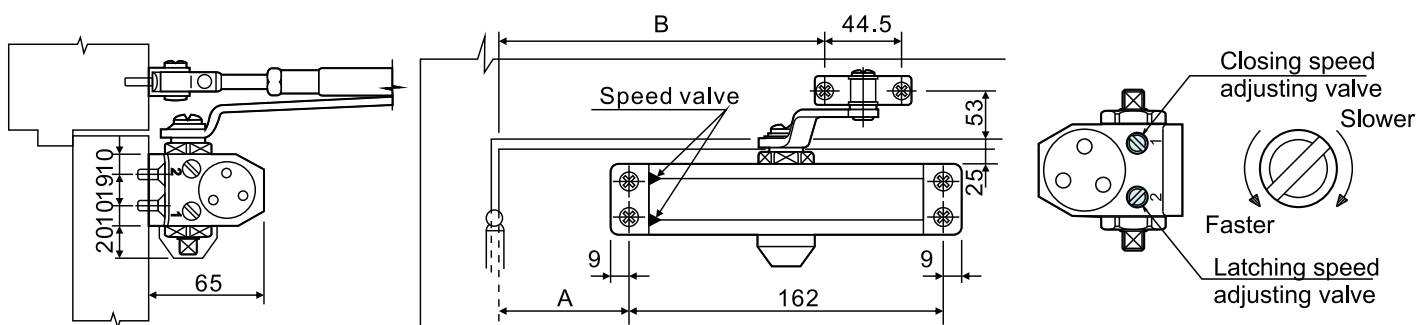
DC8051BC



Instructions



Adjustment Instructions



- Individual two speed adjusting valves for adjust both closing speed from 180° ~ 15° and 15° ~ 0°
- Speed adjusting valves turned clockwise for slow down the closing speed, turned counter clockwise for speed up the closing speed.
- The Closing speed adjust range from 180° to 15° and latching speed adjust from 15° to 0°
- Back check function act on door open to about 75° to avoid damage to door ware.
- Choose either of slide arm or cam hold-open arm (option), it may hold the door in any of your set-up point within 75° to 180°

Installation Instructions (for 180° opening)

STANDARD INSTALLATION

(Closer mounted on door on pull side)

