



## Electric Strike

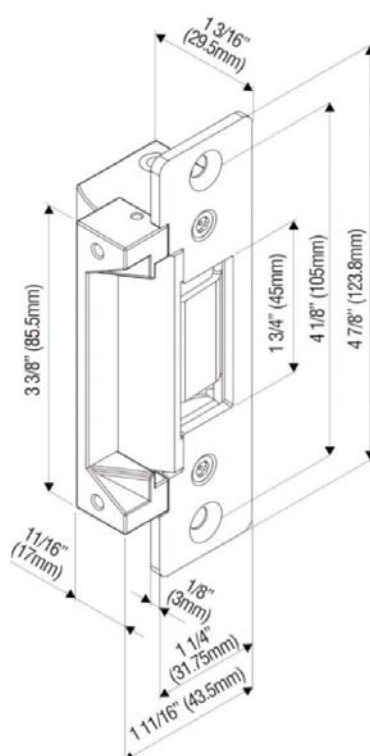
Weather Resistant

### ESV100 - Electric Strike



#### Features

- Stainless steel face plate & keeper
- Weather resistant
- Compatible with latch depth up to 15mm
- 12 or 24VDC Operation
- Easily change from Power to Lock / Power to Open
- Non-Monitored and Monitored versions available



#### Specifications

Model	ESV100 / ESV100M
Application	Morticed Strike Power to Lock / Power to Open Field Interchangeable Non-handed Fully Reversible 12/24V
Voltage	Dual Voltage 12VDC = 250mA / 24VDC = 150mA
Monitoring	ESV100 - Non-monitored ESV100M - Monitored
Holding Strength	680kg
Size	124mm L x 32mm W x 30mm D
Approvals	Cycle Tested Over 1,000,000, CE tick, ROHS Compliant

#### Accessories



ESVEL25-100  
Extension Lip 25mm



ESVEL50-100  
Extension Lip 50mm