



## Power Transfer Lead Covers

**EPTL-SF - Surface Mount**

**EPTL-MM - Mortice Mount**



### Features - EPTL-SF



- Aluminium boxes | Stainless steel cable
- Detachable terminal blocks for easy installation and maintenance
- Surface mount application allows easy power transfer installation on most doors



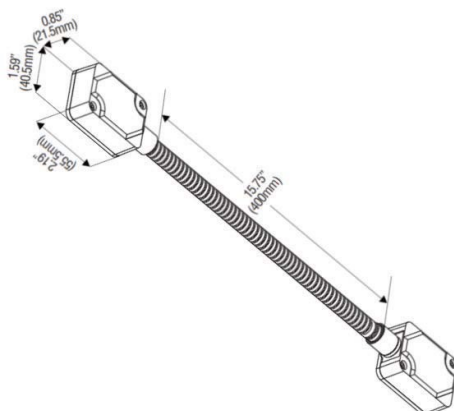
### Features - EPTL-MM



- Square Corner Case
- Stainless steel flex conduit
- Mortice mount application for a smooth concealed finish
- Suits up to 120 degree opening doors

### Specifications

<b>Model</b>	EPTL-SF
<b>Mounting</b>	Surface Mount
<b>Inside door loop diameter</b>	9mm
<b>Outside door loop diameter</b>	12.5mm
<b>Dimensions (mm)</b>	Cable Length 400mm



### Specifications

<b>Model</b>	EPTL-MM
<b>Mounting</b>	Mortice Mount
<b>Inside door loop diameter</b>	9mm
<b>Outside door loop diameter</b>	14.5mm
<b>Dimensions (mm)</b>	290 L x 24.5 W x 16.3 D mm

